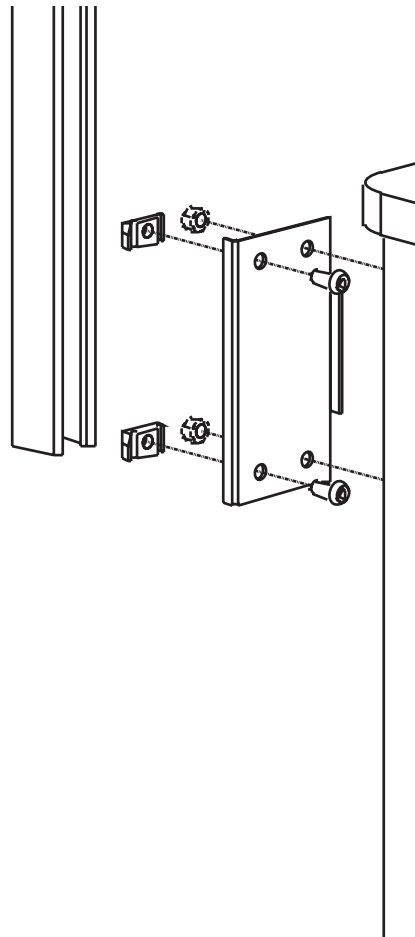


## UPRIGHTS WITH MOUNTING KIT (for RTW, PedSys & Easy-Lift 4-post)

Item Numbers 8530, 8531, 8535, 8536



## ACCESSORIES

PARTS AND HARDWARE	QUANTITY
Uprights	2
3/8-16 x 2 3/4" Bolts	4
3/8-16 Kep Nuts	4
3/8 Washers	4
Basic Bolts	4
Basic Nuts	4
Mounting Plates	2
7/32 Allen Wrench	1

• **Note: For correct installation of Upright, ensure the worksurface is positioned flush with back of the workstation.**

1. Attach the mounting plate by inserting one (1) 3/8-16 x 2 3/4" bolt and washer through both pre-drilled holes on the back of each Frame Leg, then through holes on the mounting plate. Secure with nut. For correct installation, position the short flange of the mounting plate around the inside corner of the Frame Leg, as shown. Repeat for other side of workstation.
2. Insert a Basic Bolt into each hole on the front of the mounting plate. Secure with Basic Nut with grooves facing the mounting plate. Turn only one revolution. Repeat for other mounting plate.
3. Position Uprights against the two (2) Basic Nuts on each mounting plate. Turn Basic Bolts 90 degrees clockwise to grip. Tighten the Bolts. Repeat for other Upright. Ensure Uprights make contact with both Basic Nuts.

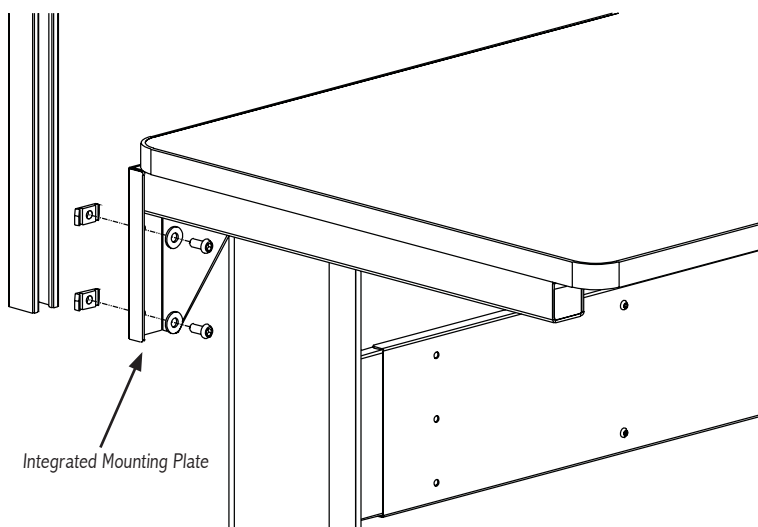
PARTS AND HARDWARE	QUANTITY
Uprights	2
Basic Bolts	4
Basic Nuts	4
Washers	4
7/32 Allen Wrench	1

• **Note: For correct installation of Uprights, ensure the worksurface is positioned flush with back of the Easy-Lift workstation.**

1. Insert a Basic Bolt and washer into each hole on the front of the integrated mounting plate. Secure with Basic Nut with grooves facing the mounting plate. Turn only one revolution. Repeat for other mounting plate.
2. Position Uprights against the two (2) Basic Nuts on each mounting plate. Turn Basic Bolts 90 degrees clockwise to grip. Tighten the Bolts. Repeat for other Upright. Ensure Uprights make contact with both Basic Nuts.

## UPRIGHTS: EASY LIFT, DUAL-LEG

Item Numbers 8532, 8533, 8539, 8540



Integrated Mounting Plate